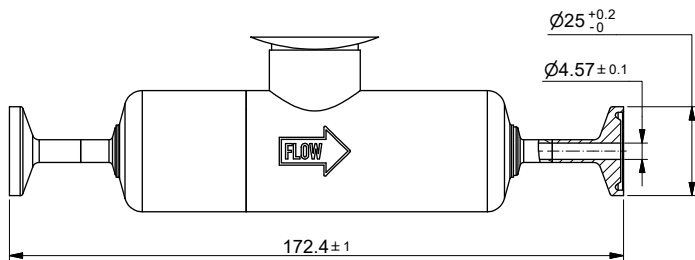
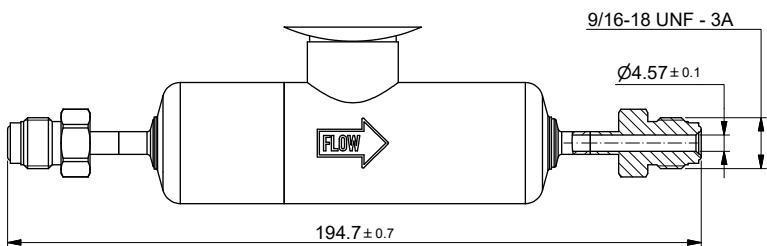


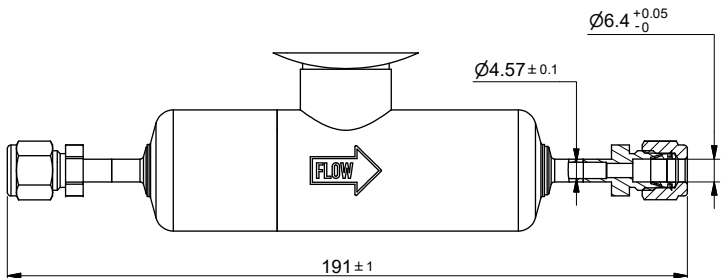
Dimension 1/2" Triclamp adapter



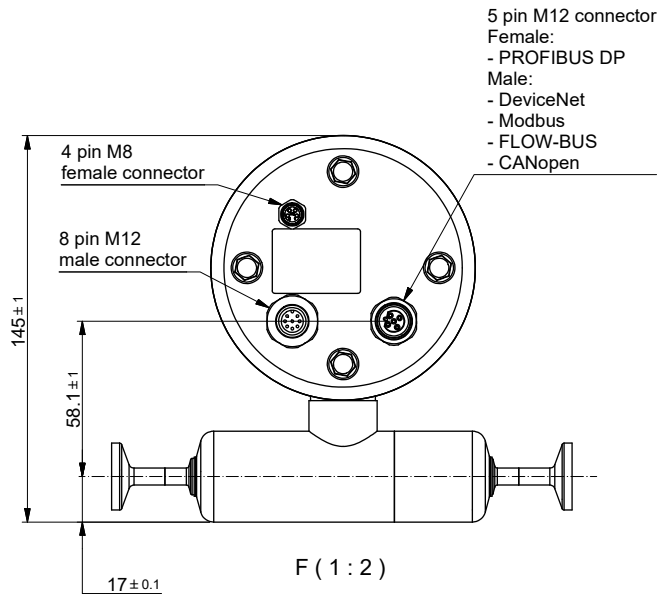
Dimension 1/4" Triclamp adapter



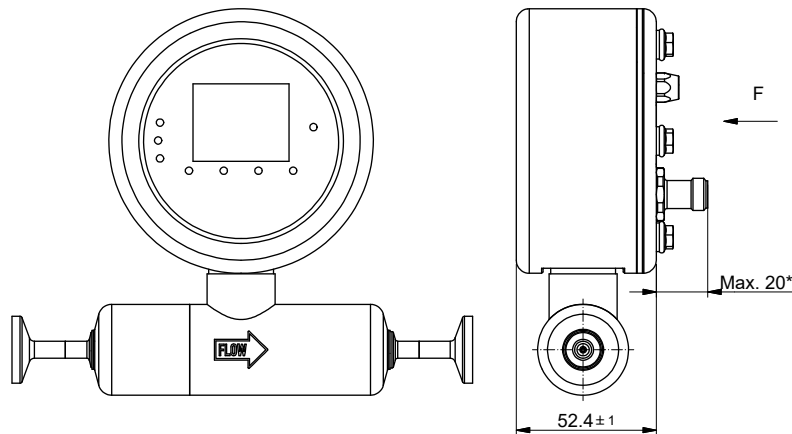
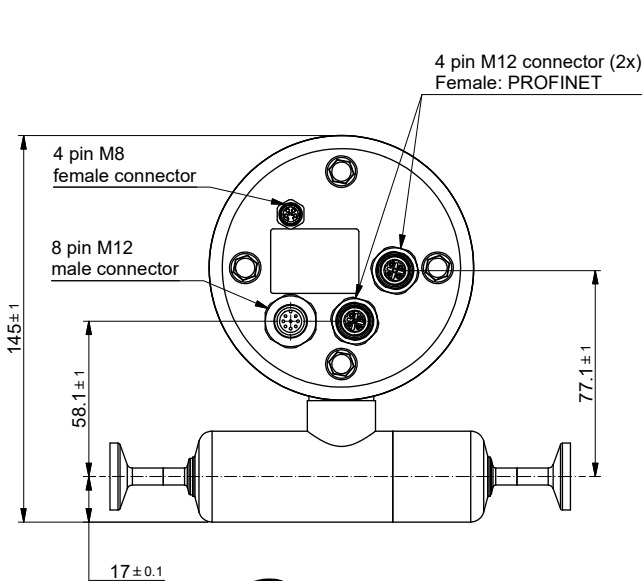
Dimension 1/4" male face seal adapter




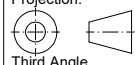
Dimension OD adapters



F ( 1 : 2 )



Dimensions subject to change without notice.  
\* Please note that the dimension increases when a contra connector is used.

Title: <b>Dimensional drawing</b> ES-103I / ES-113I		Designer: E.Te. Date: 21-02-2020	Revision Description: Update position connectors.	
 Projection:  Third Angle Dimensions: Metric (mm)		Rev. by: M.H. Date: 04-08-2020		
		Checked: K.B./E.E. Date: 04-08-2020		
		Scale: 1 : 1.5	A3	
Drawing no.:		<b>7.15.217</b>	Rev:	<b>B</b>
				Page: 1 - 1